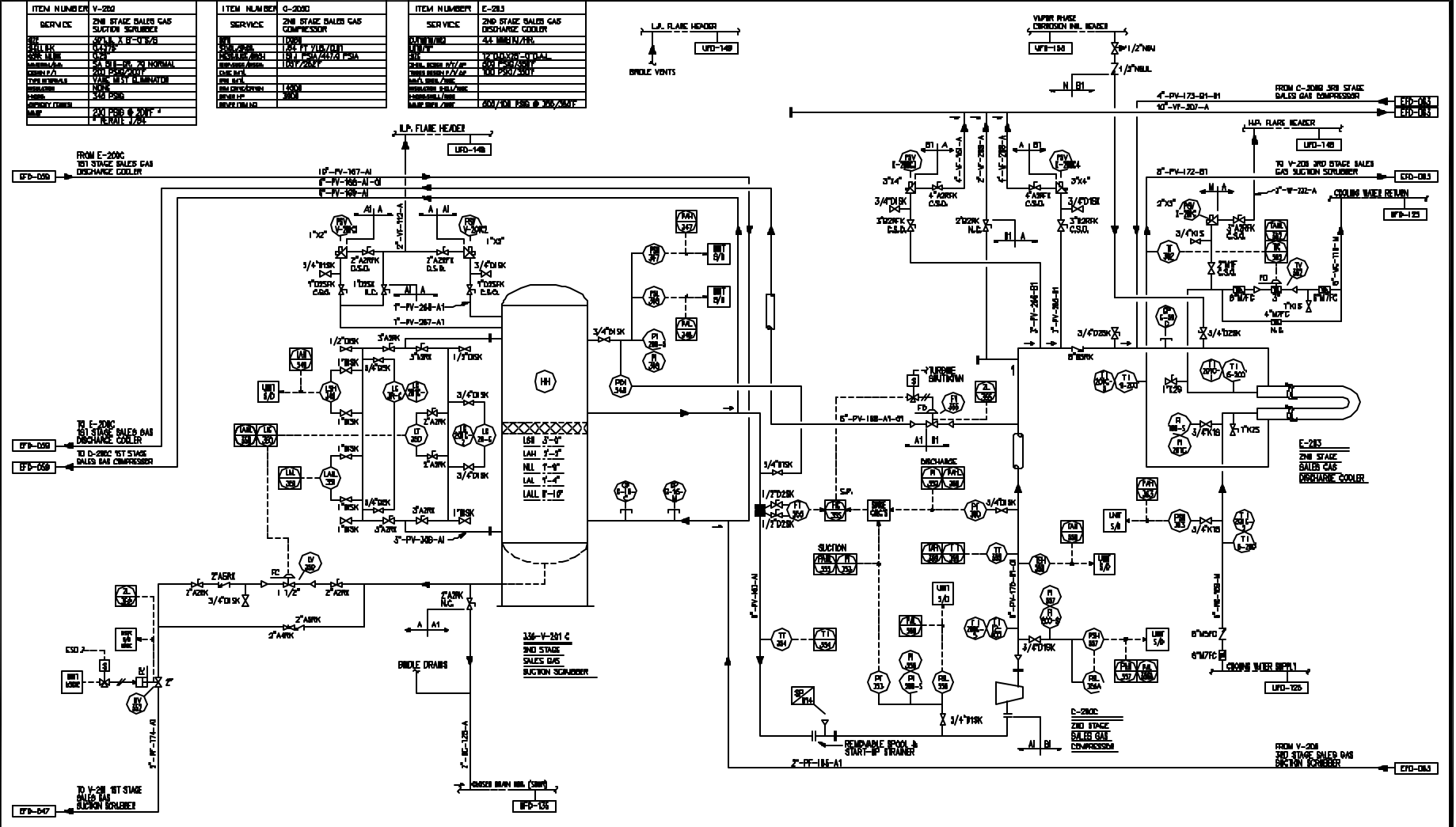


ITEM NUMBER	V-200	ITEM NUMBER	Q-2000	ITEM NUMBER	E-203
SERVICE	2ND STAGE SALES GAS SUCTION SCRAMBLER	SERVICE	2ND STAGE SALES GAS COMPRESSOR	SERVICE	2ND STAGE SALES GAS DISCHARGE COOLER
DATE	1/27/83	DATE	1/27/83	DATE	1/27/83
DESIGNER	JR	DESIGNER	JR	DESIGNER	JR
CHECKED	JK	CHECKED	JK	CHECKED	JK
APPROVED	JK	APPROVED	JK	APPROVED	JK
REVISIONS		REVISIONS		REVISIONS	
NO.		NO.		NO.	
DATE		DATE		DATE	
BY		BY		BY	
CHKD		CHKD		CHKD	
APPD		APPD		APPD	
DATE		DATE		DATE	



REVISION - ISSUED FOR CONSTRUCTION 3/1/83 JRS

NO.	REVISION	DATE	BY	CHKD	APPD
1	REVISION - ISSUED FOR CONSTRUCTION	3/1/83	JRS	JK	JK
2	REVISION - ISSUED FOR CONSTRUCTION	3/1/83	JRS	JK	JK
3	REVISION - ISSUED FOR CONSTRUCTION	3/1/83	JRS	JK	JK
4	REVISION - ISSUED FOR CONSTRUCTION	3/1/83	JRS	JK	JK

DIVERSIFIED TECHNOLOGY SERVICES, INC.
 SANTA MARIA, CA 93545

DESIGNED BY	JRS
CHECKED BY	JK
ENGINEER	JK
DATE	1/27/83
APPD. NAME	JRS

DIVERSIFIED TECHNOLOGY SERVICES, INC.
 SANTA MARIA, CA 93545
 ENGINEERING FLOW DIAGRAM
 SALES GAS COMPRESSION - SHEET 8

DATE	1/27/83
BY	JRS
CHKD	JK
APPD	JK