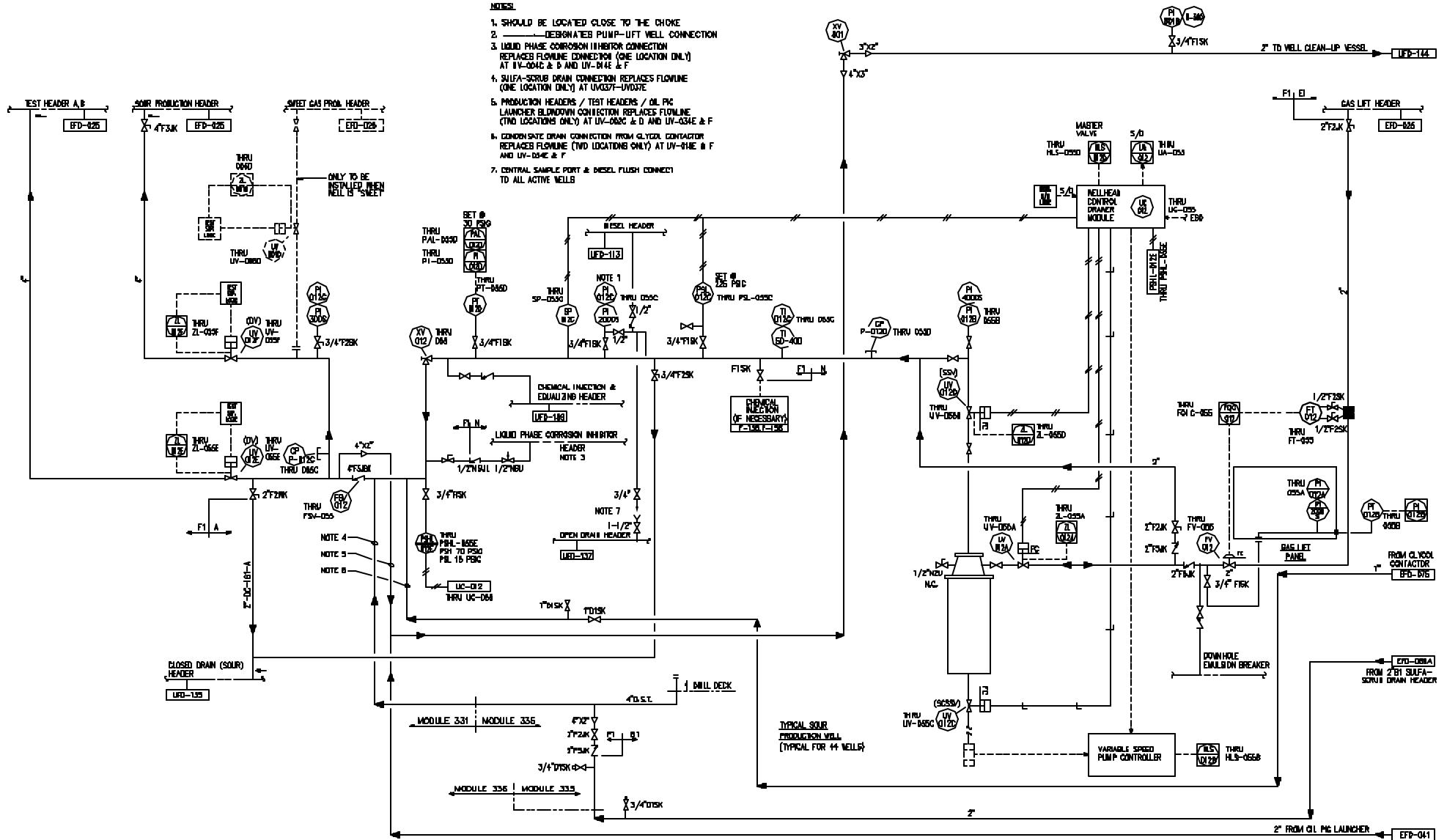


**NOTES**

1. SHOULD BE LOCATED CLOSE TO THE CHOKE
2. DESIGNATES PUMP-LIFT WELL CONNECTION
3. LIQUID PHASE CORROSION INHIBITOR CONNECTION REPLACES FLOWLINE CONNECTION (ONE LOCATION ONLY) AT UV-004C & D AND UV-044E & F
4. SULFA-SCRUB DRAIN CONNECTION REPLACES FLOWLINE CONNECTION (ONE LOCATION ONLY) AT UV037-UV037E
5. PRODUCTION HEADERS / TEST HEADERS / OIL PIG LAUNCHER BLENDOWN CONNECTION REPLACES FLOWLINE (TWO LOCATIONS ONLY) AT UV-003C & D AND UV-034E & F
6. CONDENSATE DRAIN CONNECTION FROM GLYCOL CONTRACTOR REPLACES FLOWLINE (TWO LOCATIONS ONLY) AT UV-041E & F AND UV-042E & F
7. CENTRAL SAMPLE PORT & DIESEL FLUSH CONNECT TO ALL ACTIVE WELLS



| REVISION                       | DATE     | BY | CHKD | REVISION        | DATE     | BY | CHKD |
|--------------------------------|----------|----|------|-----------------|----------|----|------|
| REVISD-OFFSHORE                | 11/01/00 | DA |      | REVISD-OFFSHORE | 02/01/01 | DF | CF   |
| REVISD-OFFSHORE                | 11/17/00 | VP | BLC  | REVISD-OFFSHORE | 11/19/01 |    |      |
| REVISD-ISSUED FOR CONSTRUCTION | 10/27/00 | PC | RCH  | REVISD-OFFSHORE | 02/01/01 | DF | CF   |
| REVISD-ISSUED FOR CONSTRUCTION | 10/27/00 | PC | RCH  | REVISD-OFFSHORE | 02/01/01 | DF | CF   |



DIVERSIFIED TECHNOLOGY SERVICES, INC.  
SANTA MARIA, CA 93545

|               |          |
|---------------|----------|
| DRYPERMAN     | CF       |
| CHECKER       | JAF      |
| ENGINEER      | RDS      |
| DATE          | JAF      |
| APPROVAL DATE | 12/12/00 |

|      |          |
|------|----------|
| DATE | 02/01/01 |
|------|----------|

DIVERSIFIED TECHNOLOGY SERVICES, INC.  
SANTA MARIA, CA 93545  
ENGINEERING FLOW DIAGRAM  
WELLHEADS - SOUR PRODUCTION

|         |        |
|---------|--------|
| PROJECT | EFD-24 |
| DATE    | NONE   |
| NO.     | 10     |